



Barcode: 5060452080444

tuffbench™

Product code: BH10

- » Durable timber work surface that folds down for easy storage.
- » Folding legs secured with a chain when shut.
- » Ideal for fitting a chain vice and engineers vice to.

Product features



Collapsible



Stackable



No detachable parts



Working load limit 300kg

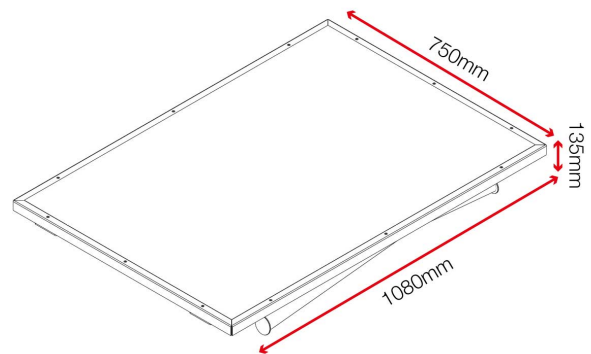


Suitable for site

Product specifications

Weight	28kg
Colour	Jet black: RAL 9005, natural timber
Finished coating	Powder coated steel and compressed timber work surface
Material & thickness	Top 25mm and tube 36mm steel and timber
Quantity of keys	Not applicable
Does it have storage	No
How are castors fitted?	Bolted on

Dimensions



Optional extras - Contact Armorgard to find out more



Engineers vice CV6



Chain vice CV4



Handle & wheel kit BH10-HW

