

## DATA SHEET

### MODEL : 55H3121/55H3161

Free standing unheated emergency safety shower with additional eye, face and hand wash. The shower is manufactured from either stainless steel or painted galvanised pipe. Pulling the stainless steel handle, which opens a one-inch valve, operates the shower. The shower is fitted with an impact resistant plastic shower rose. The eye bath unit is constructed from corrosion resistant plastic. Features include operation by lifting the plastic lid which actuates the ½" valve giving constant water flow at 2.2 bar g and the lid also keeps the unit free from contamination when closed. There is full adjustment to the aerated water using the flow controller. Fitted to the side of the unit is a hand held diffuser on a flexible hose suitable for treating disabled or unconscious personnel. All units are fitted with a mirror for the operative to check that any contamination has been cleared from their eyes and face after flushing.

#### MATERIAL

1¼" and 1" pipe-work either galvanised or stainless steel  
1" valve either brass or stainless steel.  
½" valve either brass or stainless steel  
Eye bath bowl and lid yellow plastic  
½" inline brass Y-strainer with stainless steel mesh filter  
Chrome plated aerators with mesh strainers  
250mm ABS yellow plastic rose

#### DESIGN FEATURES

Strength against impact

75 l/min flow rate at 2.2 bar g

30 l/min flow rate at 2.2 bar g

Corrosion resistant

Strength against impact

Corrosion resistant

Impact and corrosion resistant

#### OPTIONS (Please indicate if required by marking the box next to the option)

Platform operation to the shower

Treadle operation to the eye and face wash

Waste pipe to the floor from the eye and face wash

Shower and eye wash sign with mounting bracket

Indicator light

Safe Area

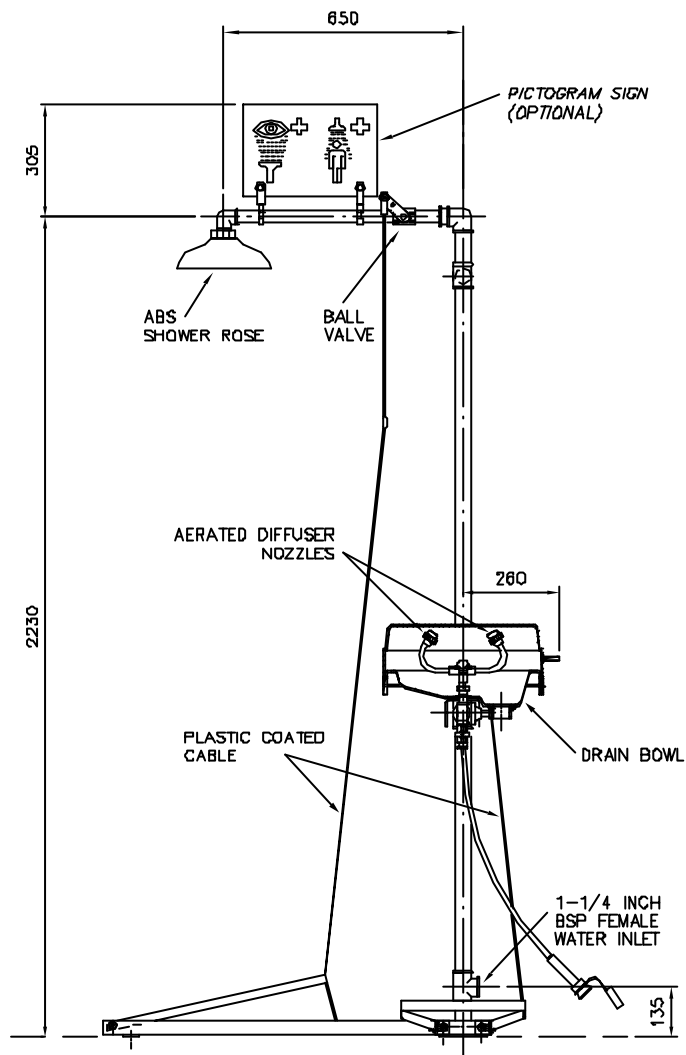
Zone 1&2

Proximity switch

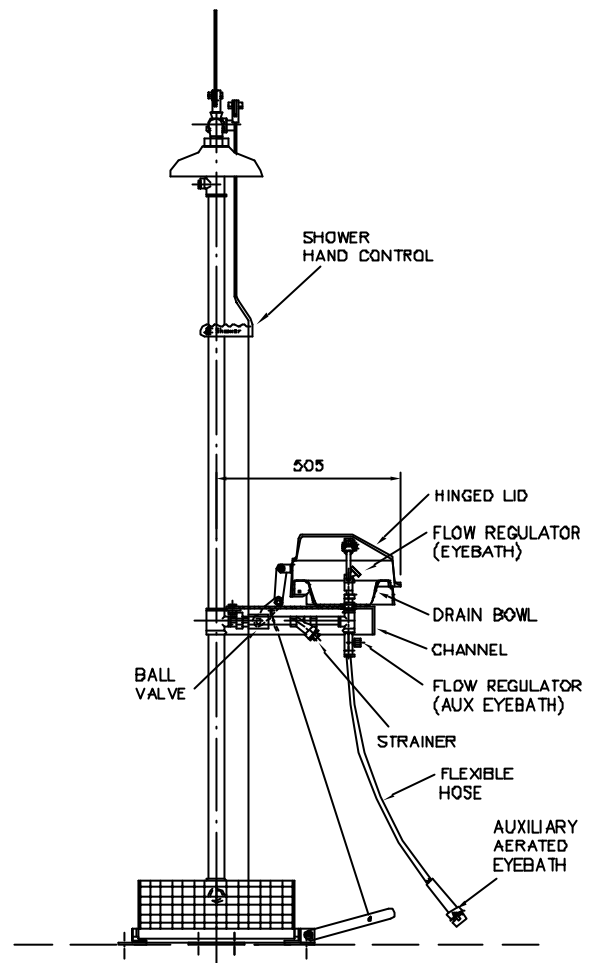
Safe Area

Zone 1&2

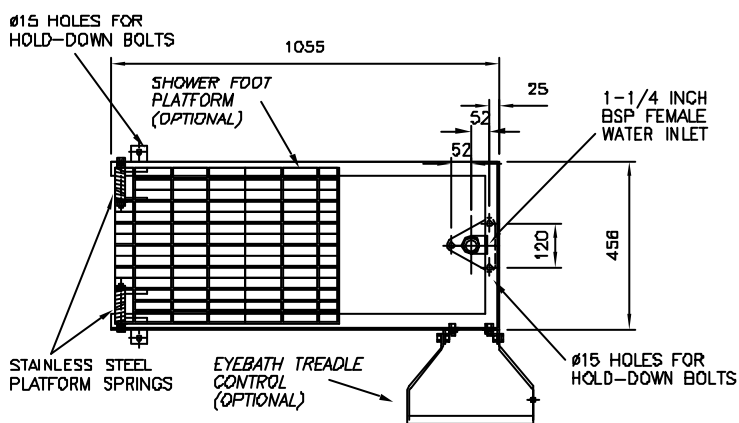
Galvanised or stainless steel pipe-work	Galv.		St/St	
<b>SERVICES</b>				
M20 cable entries (if the option of a light or proximity switch is ordered) Water inlet 1¼" BSP female Three fixing down holes in the base plate suitable for M12 fixings				
For dimensions, please refer to GA Drawing				
Please request a copy of the IOM manual for site installation information. ISO 9000 and CE (where applicable) certification available on request.				
<b>AUTH:</b>	SLA	<b>DATE:</b>	12/03/02	<b>REV:</b> 01



SIDE VIEW



FRONT VIEW



VIEW ON BASEPLATE

EMERGENCY SHOWER WITH EYEBATH/FACEWASH FOUNTAIN.

ARCO 55H3121 (STAINLESS STEEL)  
ARCO 55H3161 (GALVANISED)