

DATA SHEET

MODEL : 55H2102

Emergency eye bath and face wash unit constructed from corrosion resistant polypropylene. Features include operation by pulling the lid down which actuates the ½" valve giving constant water flow at 2 bar g and the lid also keeps the unit free from contamination when closed. There is full adjustment to the aerated water using the side mounted flow controller.

MATERIAL

Eye bath bowl and lid yellow polypropylene
½" brass valve
Chrome plated aerators with mesh strainers
Plastic and nylon pipe-work

DESIGN FEATURES

Corrosion resistant

9 l/min flow rate at 1.5 bar g

Corrosion resistant

Corrosion resistant

OPTIONS (Please indicate if required by marking the box next to the option)

Eyewash sign for wall mounting

Proximity switch

Safe Area

Zone 1&2

Foot treadle operation

Additional hand held eyewash

½" inline brass Y-strainer with stainless steel mesh filter

Waste pipe to the floor

SERVICES

M20 cable entries (if the option of a proximity switch is ordered)
Water inlet ½" BSP male
Waste outlet 2½" BSP male
Two M12 holes for wall mounting

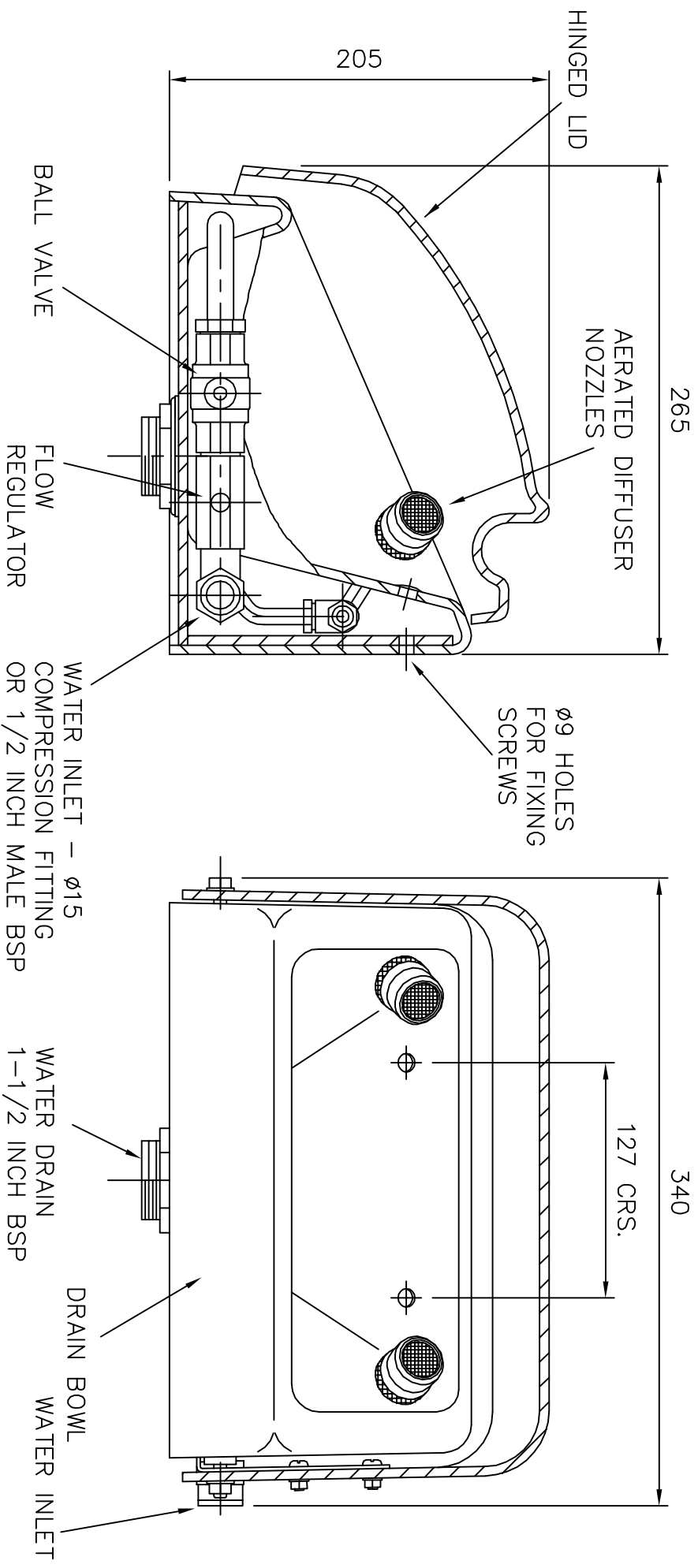
For dimensions, please request GA Drawing

Please request a copy of the IOM manual for site installation information.
ISO 9000 and CE (where applicable) certification available on request.

AUTH:	SLA	DATE:	12/03/02	REV:	01
--------------	-----	--------------	----------	-------------	----

DIMENSIONS IN MILLIMETRES

NOTE: - EYEBATH NOZZLES TO BE 840-1120
(33 TO 45 INCHES) ABOVE FLOOR LEVEL.



WALL MOUNTED EYEBATH/
FACEWASH FOUNTAIN.

MANUFACTURED FROM SCRATCH
RESISTANT ACRYLIC CAPPED
ABS PLASTIC - COLOUR YELLOW

ARCO 55H2102