

DATA SHEET

MODEL : 55H2001

Emergency eye bath and face wash unit with features including ABS plastic bowl and operation by side mounted push plate which actuates the 1/2" valve giving constant water flow at 2 bar g. Dust caps which pop off when operated help protect the aerators from contamination when not in use. There is full adjustment to the aerated water using the flow controller.

MATERIAL

Eye bath bowl yellow ABS
1/2" brass valve
Chrome plated aerators with mesh strainers

DESIGN FEATURES

Corrosion resistant
9 l/min flow rate at 1.5 bar g
Corrosion resistant

OPTIONS (Please indicate if required by marking the box next to the option)

| | | | |
|---|-----------|----------|--|
| Eyewash sign for wall mounting | | | |
| Proximity switch | Safe Area | Zone 1&2 | |
| Foot treadle operation | | | |
| Additional hand held eyewash | | | |
| 1/2" inline brass Y-strainer with stainless steel mesh filter | | | |
| Waste pipe to the floor | | | |

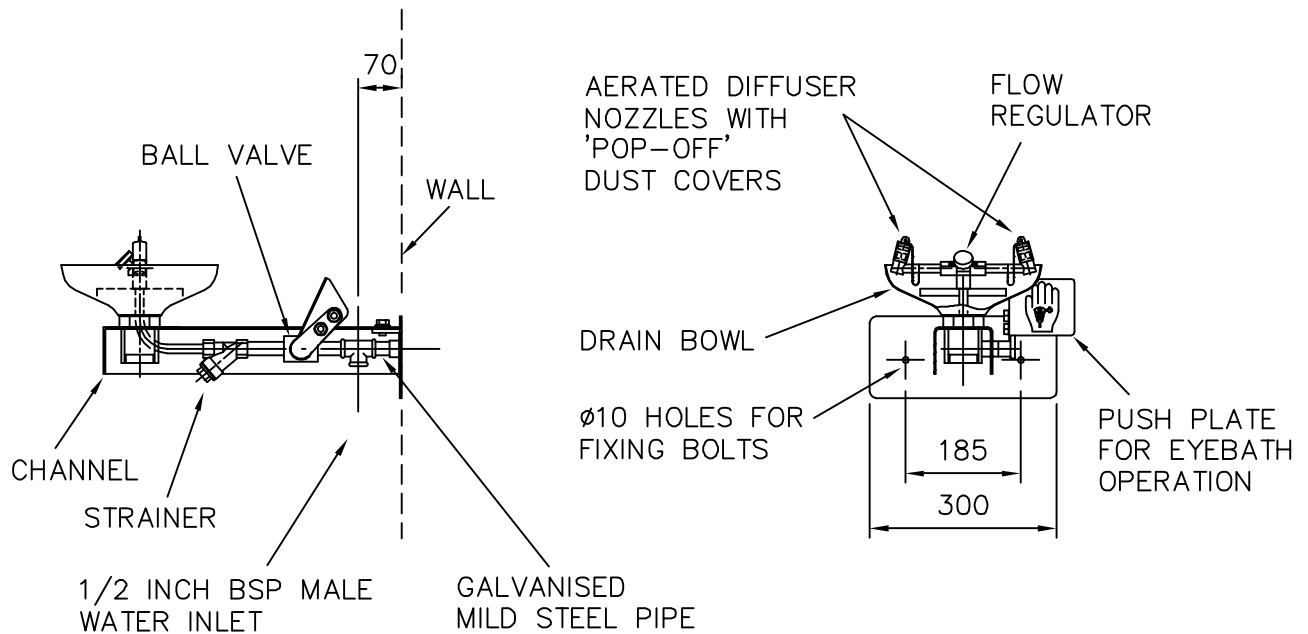
SERVICES

M20 cable entries (if the option of a proximity switch is ordered)
Water inlet ½" BSP male
Waste outlet 2½" BSP male
Two M12 holes for wall mounting

For dimensions, please request GA Drawing

Please request a copy of the IOM manual for site installation information.
ISO 9000 and CE (where applicable) certification available on request.

| | | | | | |
|--------------|-----|--------------|----------|-------------|----|
| AUTH: | SLA | DATE: | 12/03/02 | REV: | 01 |
|--------------|-----|--------------|----------|-------------|----|



NOTES :-

1. FACEWASH NOZZLES TO BE 840mm – 1120mm (33” – 44”) ABOVE FLOOR LEVEL.
2. A 1/2” NB SUPPLY PIPE MAY BE USED UP TO A DISTANCE OF 10 METRES. IF THE SUPPLY PIPE RUN IS LONGER THAN 10 METRES A LARGER BORE PIPE SHOULD BE USED TO MINIMISE LINE LOSSES.

WALL MOUNTED EYEBATH/FACEWASH FOUNTAIN.

ARCO 55H2001