

Product Datasheet

Portable self-contained gravity fed eye wash - 45 L / 12 US gal

STD-68G

Where a fixed eye/face wash installation is not possible, this portable gravity fed unit can be table mounted or wall mounted. The 45 L / 12 US gal capacity eye wash station delivers 1.5L / 0.4 US gal per minute of potable water for 15 minutes, conforming to EN15154 and ANSI Z358.1-2014 standards.

Suitable for indoor use.

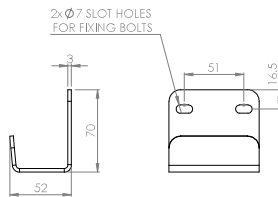
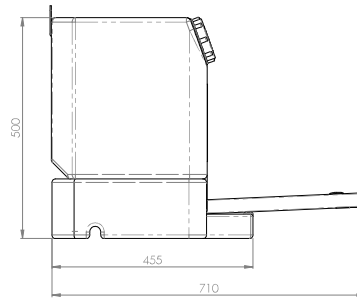
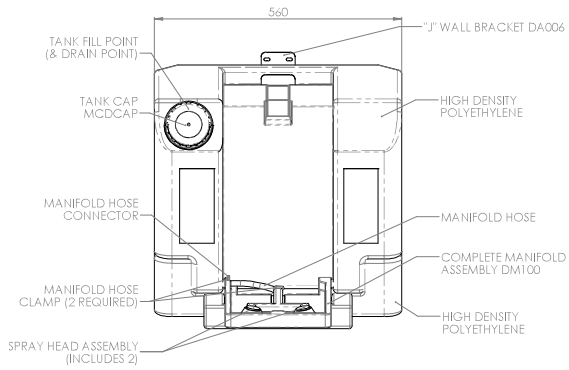


Specifications

MATERIALS OF CONSTRUCTION	
BODY & DELIVERY MANIFOLD	High density polyethylene
SPRAY HEADS	Polycarbonate
TUBING TO MANIFOLD	PVC
STANDARD FINISH	Green and grey
SERVICES	
CAPACITY	45 L / 12 US gal
FLOW RATES	1.5 L per minute / 0.4 US gal per minute
TUBING SIZE	25.4mm / 1in
OPERATION	
EYE/FACE WASH	Pull down manifold
DIMENSIONS & WEIGHT	
DIMENSIONS (WxDxH)	533mm (21in) x 584mm (23in) x 457mm (18in)
WEIGHT	Empty: 11.3kg / 25lb. Full: 56.3kg / 124lb

General Arrangement Drawing

Portable self-contained gravity fed eye wash - 45 L / 12 US gal STD-68G



"J" WALL MOUNTING BRACKET DETAILS