



Monarflex

Super T Plus FireSmart

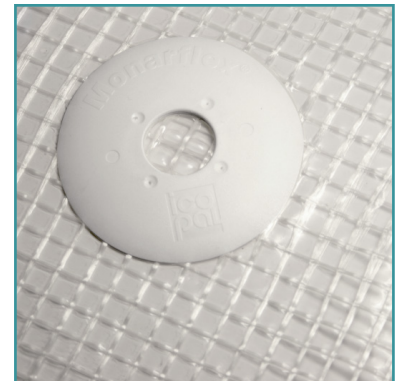
Monarflex[®]
A member of the Icopal Group

Scaffold Sheeting is used for enclosing scaffolds. The sheet has many purposes:

- Enhances the security for the workers on the scaffold
- Serves as a climate shield to protect workers, machinery and open constructions against rain, wind, snow etc.
- Ensures a stable working climate on the scaffold so deadlines can be respected regardless of the weather
- Protects the surroundings from any inconveniences e.g. particles or building dust from sandblasting or water jetting from facade works.

Description

The Monarflex Super T Plus FireSmart is made from a three-play composition with the two outer layers being made from a special highly weather resistant co-polymer LDPE with flame retarders that encapsulate a super strong high tenacity grid which forms the weather protection. On top of the sheet there are rubber fixing eyelets in pre-set patterns that fit virtually any type of scaffold. The eyelets, which are a patented solution, are welded onto the sheet to provide the strongest and most durable eyelet fixing on the market. The product holds a LPS 1215 and 1207 certificate, meaning it's tested and approved to prevent the spread of fire on scaffold for internal and external use.



Performance and Properties

Material	Co-polymer LDPE
Reinforcement	10 x 12mm mesh
Roll Sizes	2 x 45m, 2.25 x 40m, 3 x 45m, 4 x 36m
Colour	White
Weight per m ²	245g
Tensile strength	>650N/50mm
Eyelet pullout	>800N
Conforms to	BS7955:1999, BS8410:2007
Fire testing	LPS1215, LPS1207
Applications	White – Internal/External use



Durability

Monarflex Super T Plus FireSmart can be used for all types of long-term projects exceeding 12 months. The product is designed for extreme weather conditions such as hurricane forces. The combination of high quality components form a tough and durable sheeting for very extreme working conditions i.e. sandblasting and water-jetting. By using Monarflex Super T Plus FireSmart, you can meet deadlines and avoid economical surprises regardless of the weather and be safe in that it fulfils all relevant British Standards like BS7955:1999 and BS 8410:2007 so you don't have to worry about living up to HSE requirements in terms of the sheeting material itself.

Application

Monarflex Super T Plus FireSmart can be applied both vertically and horizontally always taking care to overlap the lower sheet externally for weather protection and overlap lower sheet internally if used for containment. The eyelets form a system that suit most standard scaffold systems. Fixing the sheeting to the scaffold must be done according to calculations taking factors like wind, building season and height of the surrounding buildings into consideration. We recommend the use of x 1 fixing/m² but any fixing must be placed according to calculations for each project.

Delivery And Storage

Monarflex Super T Plus FireSmart is supplied in pallets of 25 rolls with each roll individually wrapped in PE foil with label and name identification. The rolls must be stored lying on a pallet under cover and away from heat and direct sun light.

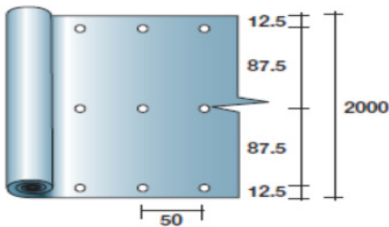
Health And Safety

Health and safety data sheets are available for all materials. Please contact Icopal's Technical Services Department for further information.

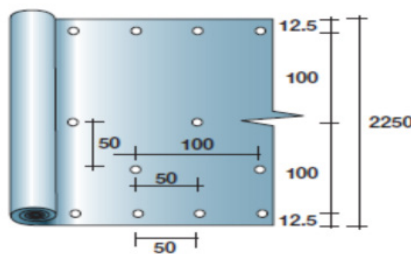
Quality Assurance

Monarflex Super T Plus FireSmart is manufactured under a Quality Management System approved to ISO 9001: 2000 by BSI Quality Assurance.

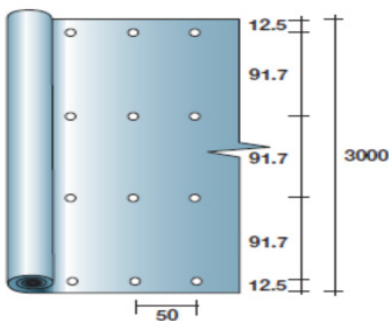
**Roll Size: 2m x 45m
Eyelets per roll: 270**



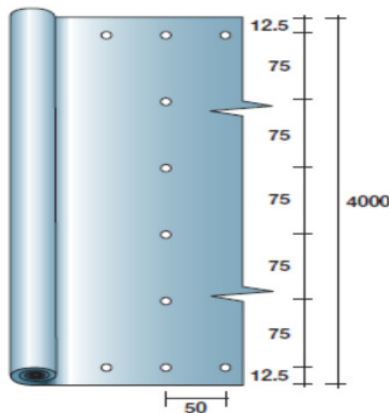
**Roll Size: 2.25m x 40m
Eyelets per roll: 240**



**Roll Size: 3m x 45m
Eyelets per roll: 360**



**Roll Size: 4m x 36m
Eyelets per roll: 288**



Certificate No: Q5556

For further information call 0161 865 4444 or visit www.monarflex.co.uk

NOTE: This information is given in good faith being based on the latest knowledge available to Icopal Limited. Whilst every effort has been made to ensure that the contents of the publication are current while going to press, customers are advised that products, techniques and codes of practice are under constant review and liable to change without notice. Responsibility cannot be accepted for the application of products, and no claims can be considered, where the manufacturer's instructions have not been followed. The user should not assume, based on any information provided in this sheet, that the product is suitable for any abnormal use. All products are sold subject to our standard conditions of sale, available on request.