

# Product leaflet

Product	Designation	Ordering No.
Gas filter A1	SR 217	H02-2512
Gas filter A2	SR 218	H02-2112

## Product description

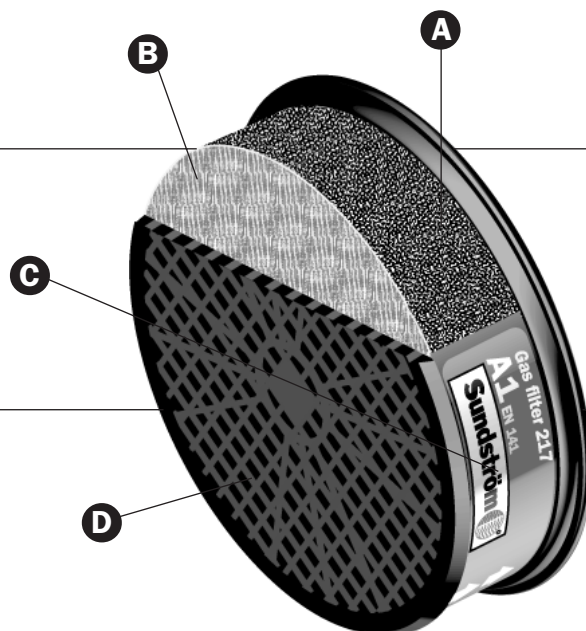
Gas filter 217, Class 1, and 218 Class 2, are designed for use with Sundström half masks and full face masks. Both filters are of type A and provide protection against organic gases and vapours, such as solvents, with boiling points above +65°C.

The gas filters can easily be combined with particle filter 210/310 P3 in order to obtain protection also against aerosols (particles), e.g. during spray painting.

## Technical specification

	SR 217 A1	EN 141:1990	SR 218 A2	EN 141:1990
Pressure drop at 30 l/min	40 Pa	100 Pa	65 Pa	140 Pa
Diameter / height	106 / 28 mm	-	106 / 36 mm	-
Weight	115 g	300 g	135 g	300 g
<b>Resistance time</b>				
A1, Cyclohexane C <sub>6</sub> H <sub>12</sub> , 1,000 ppm	100 min	70 min	-	-
A2, Cyclohexane C <sub>6</sub> H <sub>12</sub> , 5,000 ppm	-	-	45 min	35 min

- A. Activated carbon**
- B. Filter disc**
- C. Marking label with use-by date**
- D. Filter case**



Approved as per EN 141:1990.  
Notified Body INSPEC Certification Services (0194).

This product is manufactured within a quality management system (ISO 9001), which is accepted by INSPEC Certification Services.

Product range and specifications are subjected to changes.

**Sundström** 

Sundström Safety AB • Tel +46 8 562 370 00 • Fax +46 8 562 370 60  
[www.srsafety.se](http://www.srsafety.se)