

Product leaflet

Product
Compressed air filter

Model No.
SR 99-1

Ordering No.
H03-2812

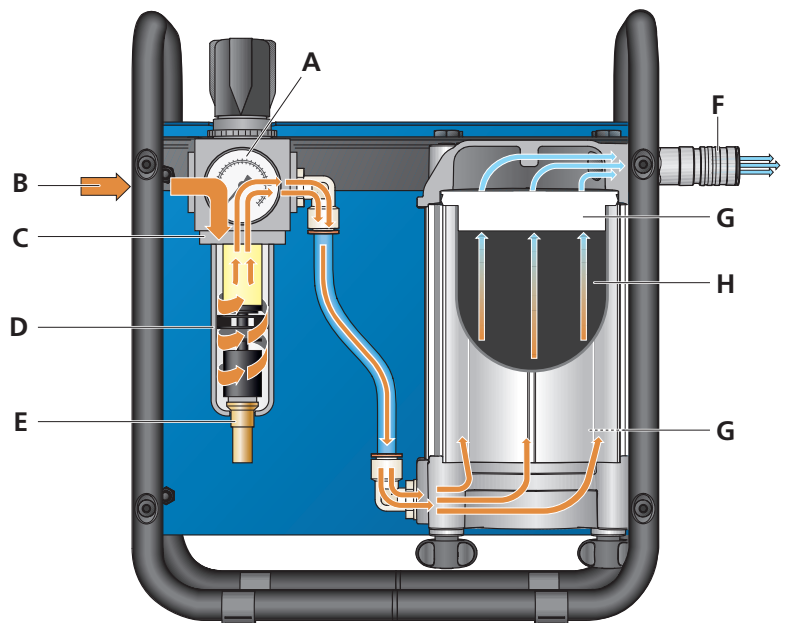
Product Description

The SR 99-1 compressed air filter is used for producing clean breathing air from ordinary compressed air. The unit consists of a regulator (C), pre-collector (D) and main filter (SR 292), all of which are mounted in an enclosing steel sheet stand. The unit can be placed on the floor or mounted on a wall. The pre-separator has automatic drainage, separates coarser particles, water and oil. The SR 292 main filter consists of a carbon filter part (500g), surrounded by two P3 particulate filters. The air is cleaned to remove any remaining particles/gases/vapours/odours. A Y coupling that increases the number of outlets is available as accessory.

Technical specification

SR 99-1	
Inlet connection	1/2" BSP
Inlet pressure	6–10 bar
Outlet connections	One safety coupling and one plugged opening
Air flow	Maximum 900 l/min - three users
Filter area P3	≈ 2200 cm ²
Activated carbon	≈ 500 grams
Adsorption capacity	≈ 100–150 grams oil.

- A. Pressure gauge
- B. Inlet
- C. Regulating valve
- D. Pre-collector
- E. Drain
- F. Outlet
- G. Particle filter
- H. Activated carbon



Head Office
Tel: +46 10 484 87 00

Visiting address:
Stockholmsvägen 33
SE-181 33 Lidingö

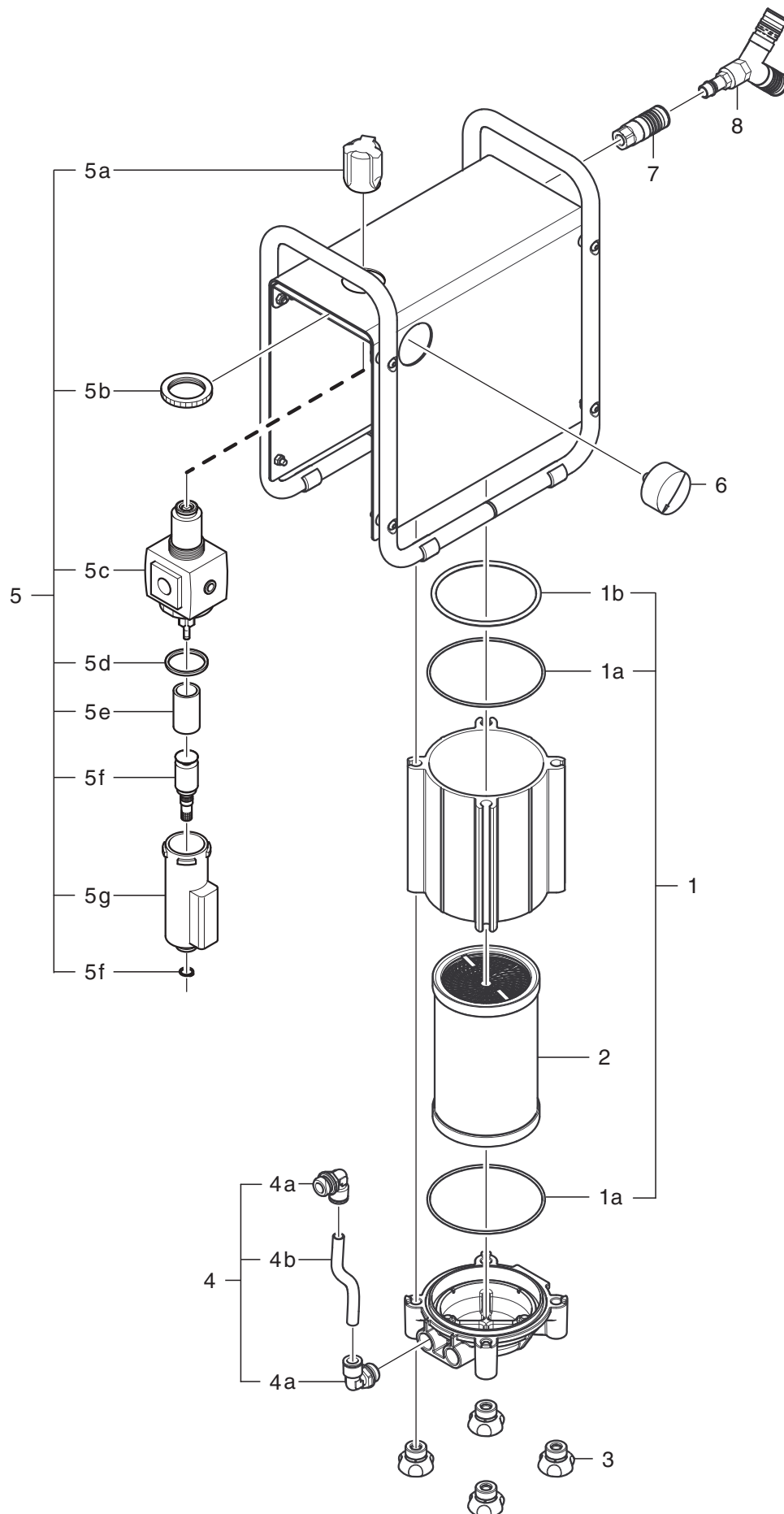
Factory
Tel: +46 10 484 87 00

Visiting address:
Västergatan 4
SE-341 50 Lagan

Sundström
www.srsafety.com

SR 99-1

Spare parts / Accessories



No.	Description	Ordering No.
1.	Set of seals for filter housing	R03-2604
1a.	O-ring	-
1b.	O-ring	-
2.	SR 292 Filter element	R03-2001
3.	Knob	R03-2607
4.	Hose with couplings	R03-2605
4a.	Hose	-
4b.	Coupling	-
5.	Filter regulator, automatic drain	R03-2801
5a.	Knob	R03-2803
5b.	Mounting nut, filter regulator	R03-2809
5c.	Filter regulator	-
5d.	Seal, drain bowl	R03-2806
5e.	Pre-collector element	R03-2805
5f.	Pre-collector	R03-2804
5g.	Drain bowl	R03-2808
6.	Pressure gauge	R03-2108
7.	Safety coupling female 1/2"	R03-2103
8.	Y coupling	R03-2127